



WARN® 4000 DC Powered Utility Winch

Versatile and powerful – great for trailers or the jobsite

The new 4000 DC has heavy-duty pulling power; perfect for loading a heavy vehicle onto a trailer or winching the big loads at work. With durable wire rope, a roller fairlead, and a sturdy remote control, this winch is ready to go to work.

- 4,000 lb. (1814 kg) pulling capacity
- 43' of 7/32" wire rope with roller fairlead
- Redesigned, easy-to-use clutch control lever
- Corded remote with 12' lead

PN 94000





WINCH MODEL: WARN 4000 DC

PART NUMBER: PN 94000

RATED LINE PULL: 4,000 lbs. (1864 kgs)

INTENDED USE/APPLICATION: Trailer Loading, Utility

- GREAT FOR TRAILERS AND WORKSITES
- 43' (13M) OF WIRE ROPE
- AVAILABLE WIRELESS CONTROL

12V DC performance specs (first layer of drum)

Load		Current Amps	Speed		Layer	Pulling Power by Wire Rope Layer	
Lbs.	Kg		Ft/min	M/min		lbs.	kg
0	0	6.7	7.2	2.2	1	4000	1814
500	226.8	24.1	6.8	2.0	2	3410	1550
1000	453.6	44.7	5.7	1.7	3	3170	1440
2000	907.2	180	10.9	3.3	4	2950	1340
3000	1361	210	8.9	2.7			
4000	1814	240	6.9	2.1			

Specifications:

Switch Type: Remote with 12'(3.7 m) Lead

Motor: Permanent Magnet

HP: 1.9 HP

Power: 12 volt DC

Drum Diameter: 2.375" (6.03 cm)

Gear Train: 3-Stage planetary

Clutch: Lever – Multi-Directional

Hole Pattern: 3 holes

Gear Ratio: 176:1

Brake: Dynamic and mechanical braking

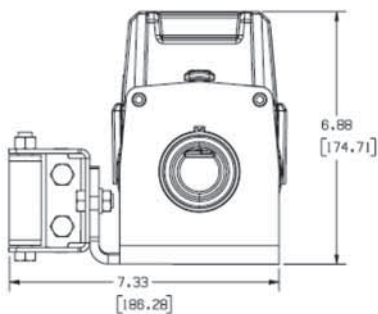
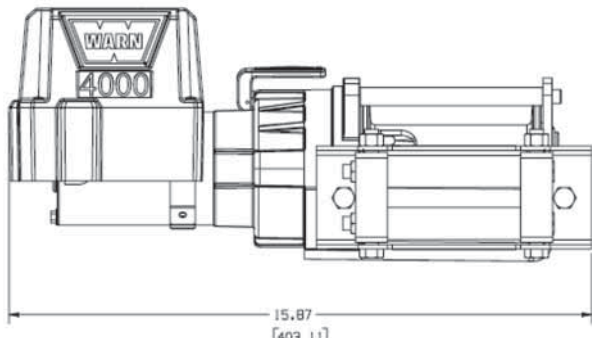
Wire Rope: 7/32" X 43' (13 m)

Fairlead: Roller

Electrical Leads: 2 – 6' (1.8 m) x 6 gauge cable

Warranty: 1 year limited

Replacement Wire Rope: PN 78987



Warn Industries, Inc.
12900 S.E. Capps Road,
Clackamas, OR USA 97015-8903

Customer Service (North America): 1-800-543-9276
International Sales Support: +1 503 722 1200

